

SPECIFICATION SUBMITTAL

Project: _____
 Architect/Engineer: _____
 Builder/Developer: _____
 Plumbing Contractor: _____

4ALL[®] BOX

ICE MAKER



For PEX, Copper and CPVC Pipe

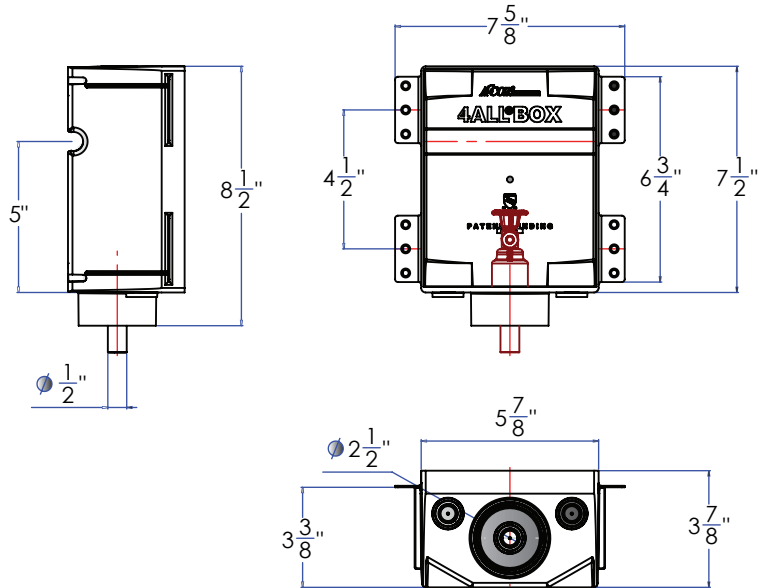
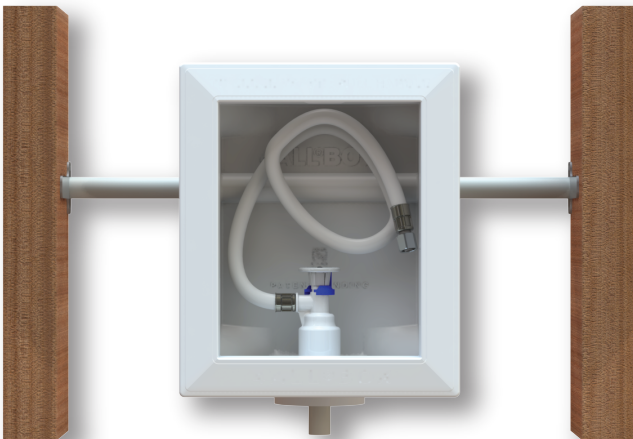
4ALL[®] Ice Maker Outlet Box with FlowTite[®] 4ALL[®] Valve



Specification:

The ONLY box preventing hidden in-wall leaks with valve-to-pipe connection fully sealed within the box and secondary O-ring to seal box to pipe.

All models include one (1) USA made FlowTite 4ALL 1/4" outlet stop valve that carries a 10-year warranty, front & back support tabs for a sturdy stud mount and a unique pipe supported design for center mount between studs. All models also include a sturdy protective cover.



Listings:

NSF/ANSI 61
 IAPMO File 2657 (cUPC/IPC, NPC)
 IAPMO File 6518 (Lead Free)
 IAPMO File 3893 (UPC/IPC)

Manufactured in accordance with:

NSF/ANSI 61 Section 9
 ASME A112.18.1/CSA B125.1
 Section 1417(d) SDWA – NSF/ANSI 372 Low Lead
 IAPMO PS 54-2015

Dimensions:

Box rough-in width – 5" 7/8 (5.876)
 Box rough-in height – 7" 1/2 (7.49)
 Box depth – 3" 7/8 (3.863)
 Drain connection – 2"
 Pilot Holes - on center
 Bullseye condensation tear-out – 3/8"-1"
 Sheet rock – up to 1"
 Faceplate width – 7" 3/4 (7.704)
 Faceplate height – 9" 1/4 (9.183)

Model Number:

- 40BP05-2 (T) Valve Only, Copper
- 4VBP05-2 (T) Valve Only, CPVC
- 4PBP05-2 (WT) Valve Only, Type A, B, C PEX
- 40BP05IP84-2 (T) Valve w/ Attached 84" PVC Connector, Copper
- 4VBP05IP84-2 (T) Valve w/ Attached 84" PVC Connector, CPVC
- 4PBP05IP84-2 (WT) Valve w/ Attached 84" PVC Connector, Type A, B, C PEX

Description: