

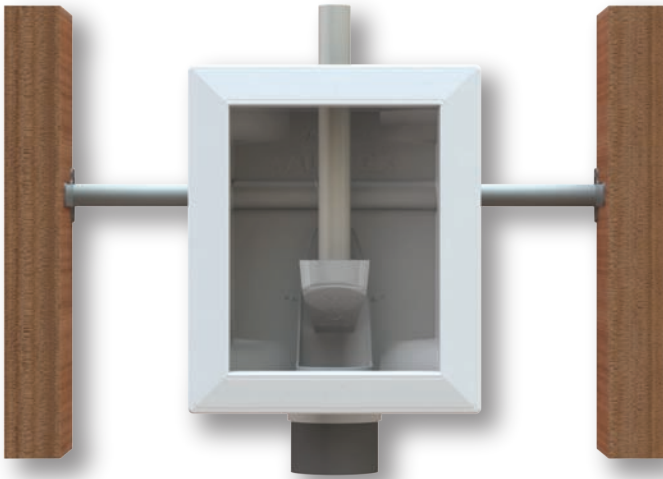
# SPECIFICATION SUBMITTAL

Project: \_\_\_\_\_  
 Architect/Engineer: \_\_\_\_\_  
 Builder/Developer: \_\_\_\_\_  
 Plumbing Contractor: \_\_\_\_\_



For PEX, Copper and CPVC Pipe

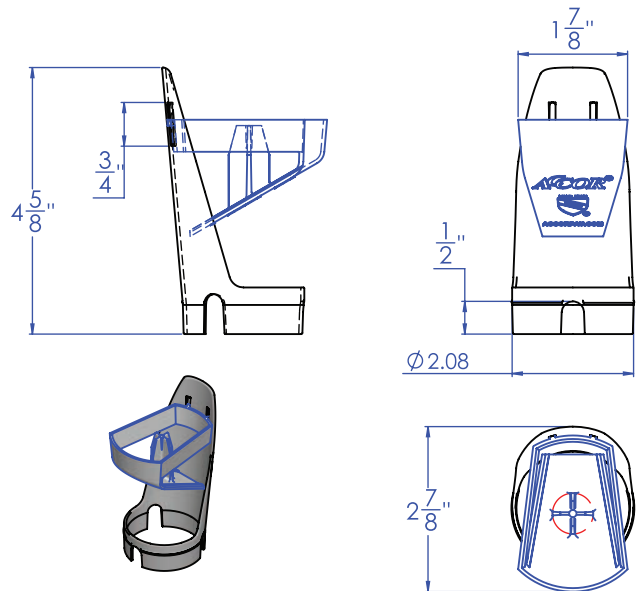
## 4ALL® Condensation Funnel for Washing Machine Outlet Boxes



### Specification:

The 4ALL® Condensation Funnel is designed to be glued into the 4ALL Washing Machine BOX drain. Condensation lines can be run through the top of the 4ALL BOX, which adapts to varying tubing sizes (3/8" - 1") and held in place by the funnel post which is adjustable by 3/4" to engage the condensation line and hold it securely in alignment. This height adjustability also ensures correct spacing between the drain outlet and the end of the condensation tube to meet code requirements. Funnel is uniquely angled below tube to reduce drip noise.

Note: The 4ALL Condensation Funnel is not intended for use in high volume situations such as a water softener drain line.



### Listings:

IAPMO File 6518 (Lead Free)  
 IAPMO File 3893 (UPC/IPC)

### Manufactured in accordance with:

Section 1417(d) SDWA – NSF/ANSI 372 Low Lead  
 IAPMO PS 54-2015

### Dimensions:

Funnel width -  $2 \frac{2}{25}$  (2.08)  
 Funnel height -  $4 \frac{5}{8}$  (4.625)  
 Funnel depth -  $2 \frac{7}{8}$  (2.875)  
 Funnel height adjustment -  $\frac{3}{4}$  (0.650)  
 Condensation tube size -  $\frac{3}{8}$  to 1 (0.375 to 1.0)  
 Drain connection - 2 (2.0)

### Model Number:

4ALL FUNNEL

### Description:

4ALL BOX Condensation Funnel