

# SPECIFICATION SUBMITTAL

Project: \_\_\_\_\_  
 Architect/Engineer: \_\_\_\_\_  
 Builder/Developer: \_\_\_\_\_  
 Plumbing Contractor: \_\_\_\_\_

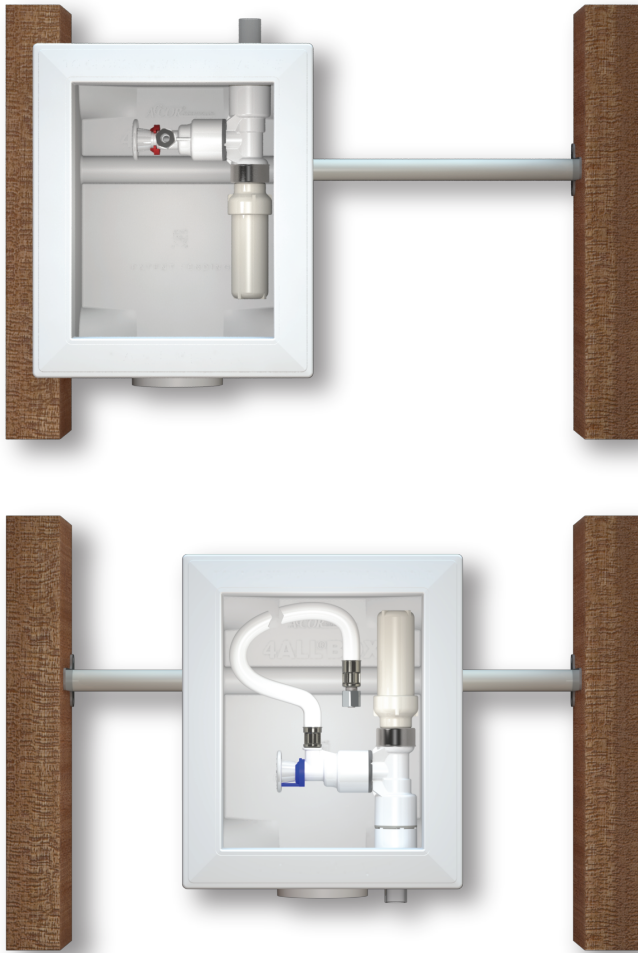
# 4ALL<sup>®</sup> BOX

ICE MAKER



For PEX, Copper and CPVC Pipe

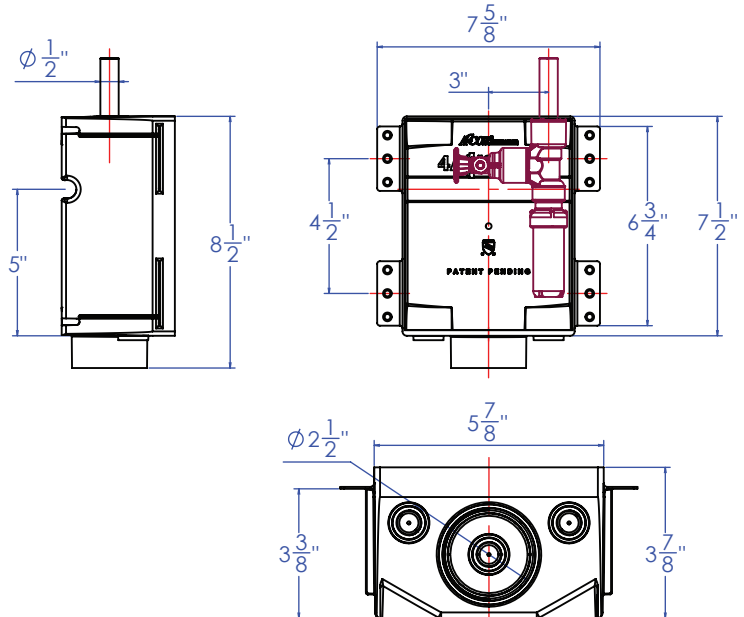
## 4ALL<sup>®</sup> Ice Maker Outlet Box with *FlowTite*<sup>®</sup> 4ALL<sup>®</sup> Valve and Polymer Arrestor



### Specification:

The ONLY box preventing hidden in-wall leaks with valve-to-pipe connection fully sealed within the box and secondary O-ring to seal box to pipe.

All models include one (1) USA made FlowTite 4ALL 1/4" outlet stop valve that carries a 10-year warranty, one (1) polymer arrestor, front & back support tabs for a sturdy stud mount and a unique pipe supported design for center mount between studs. All models also include a sturdy protective cover.



### Listings:

NSF/ANSI 61  
 IAPMO File 2657 (cUPC/IPC, NPC)  
 IAPMO File 6518 (Lead Free)  
 IAPMO File 3893 (UPC/IPC)

### Manufactured in accordance with:

NSF/ANSI 61 Section 9  
 ASME A112.18.1/CSA B125.1  
 Section 1417(d) SDWA – NSF/ANSI 372 Low Lead  
 IAPMO PS 54-2015

### Dimensions:

Box rough-in width – 5" 7/8 (5.876)  
 Box rough-in height – 7" 1/2 (7.49)  
 Box depth – 3" 7/8 (3.863)  
 Drain connection – 2"  
 Pilot Holes - on center  
 Bullseye condensation tear-out – 3/8"-1"  
 Sheet rock – up to 1"  
 Faceplate width – 7" 3/4 (7.704)  
 Faceplate height – 9" 1/4 (9.183)

### Model Number:

- 40BP05-2AP (T) Valve Only w/ Polymer Arrestor, Copper
- 4VBP05-2AP (T) Valve Only w/ Polymer Arrestor, CPVC
- 4PBP05-2AP (WT) Valve Only w/ Polymer Arrestor, Type A, B, C PEX
- 40BP05IP84-2AP (T) Valve w/ Attached 84" PVC Connector & Polymer Arrestor, Copper
- 4VBP05IP84-2AP (T) Valve w/ Attached 84" PVC Connector & Polymer Arrestor, CPVC
- 4PBP05IP84-2AP (WT) Valve w/ Attached 84" PVC Connector & Polymer Arrestor, Type A, B, C PEX

### Description: